



KITS



PUMPS



METERS



METERED NOZZLES



NOZZLES



WASTE OIL EQUIPMENTS

VISCOMAT VANE

FEATURES

- ADJUSTABLE BYPASS
- MULTI-PURPOSE PUMP
- SUITABLE TO TRANSFER WASTE OILS

The PIUSI VISCOMAT VANE is an electric vane pump suitable for transferring low viscosity fluids. The pump is equipped with a built-in adjustable bypass.

PERFORMANCE

UP TO
50 L/MIN

FLOW RATE

UP TO
500
CST

VISCOSITY

BELOW
77 DB

NOISE LEVEL*

AC
VOLTAGE

POWER



VISCOMAT VANE



PACKAGING

CODE	WEIGHT		PACKAGING				
	KG	LBS	MM	INCH	PCS/PALLET	PCS/BOX	
VISCOMAT 70							
FO033490A	14,15	31,1	355X185X285	-	60	72	1
FO033190A	14,15	31,1	350X200X280	-	60	72	1
VISCOMAT 90							
FO0303MOO	14,15	31,1	350X200X280	-	60	72	1
OO0303000	14,15	31,1	350X200X280	-	60	72	1



FILTRATION



FLUID MONITORING



TANK MONITORING



HOSE REELS



ACCESSORIES



MERCHANDISE



AIR



ANTIFREEZE



AdBlue®



BIODIESEL



DIESEL



FOOD



GASOLINE



GREASE



KEROSENE



OIL



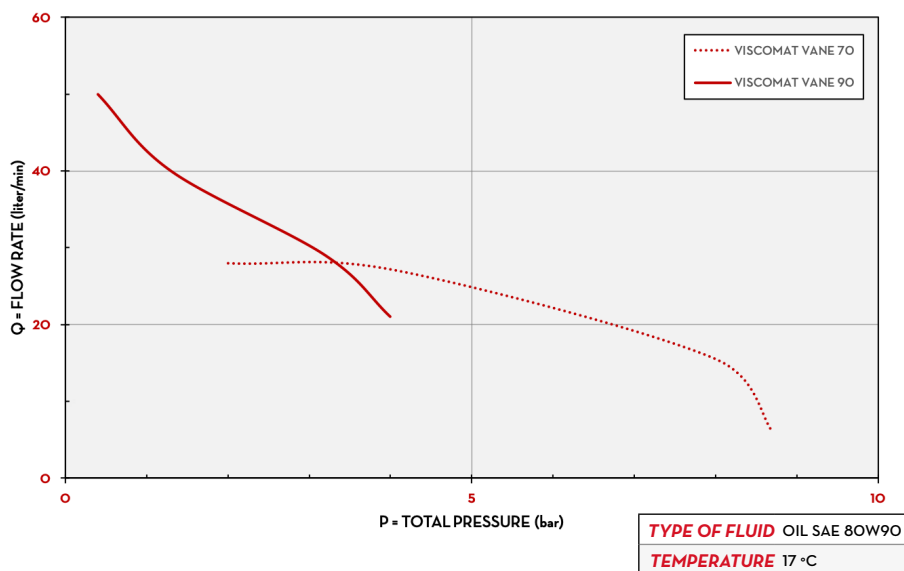
WATER



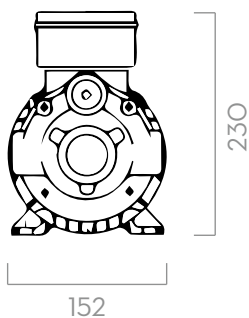
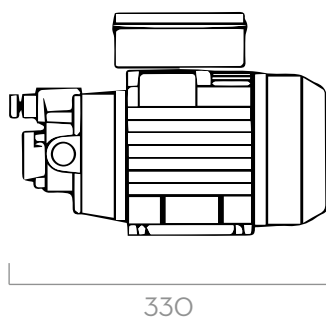
WINDSCREEN

CHART

VISCOMAT VANE



DIMENSIONS



Dimensions expressed in millimeters

TECHNICAL DATA

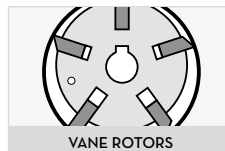
CODE	DESCRIPTION	FLUIDS TYPE	FLOW RATE		WORKING PRESSURE		VOLTAGE				RPM	INLET OUTLET BSP	BYPASS VALVE
			L/MIN	GPM	BAR	PSI	SINGLEPHASE MOTOR V/Hz	THREEPHASE MOTOR V/Hz	POWER WATT	AMP. MAX			
VISCOMAT 70													
FO033490A	VISCOMAT 70 M. 230/50/60		25	7	6	85	230/50/60	-	1200/1000	5,5-5,1	1470/1650	1" BSP	YES
FO033190A	VISCOMAT 70 T. 400/50/60		25	7	6	85	-	400/50 - 460/60	650/1000	2,2/3,1	1470/1750	1" BSP	YES
VISCOMAT 90													
FO0303M00	VISCOMAT 90 M. 230/50/60*		50	13	5	71	230/50/60	-	1350/1600	6,2/4,9	1400/1600	1" BSP	NO
000303000	VISCOMAT 90 T. 400/50		50	13	5	71	-	400/50	2000	5	1450	1" BSP	YES

UPON REQUEST IT IS AVAILABLE WITH DIFFERENT VOLTAGE AND FREQUENCY - (*) WITHOUT ADJUSTABLE BYPASS VALVE

IN THE BOX

- VISCOMAT VANE PUMP
- INSTRUCTION MANUAL

DETAILS



VANE ROTORS



ON/OFF SWITCH



ADJUSTABLE BYPASS

MATERIALS

- BODY: CAST IRON
- ROTOR: SINTERED STEEL
- VANES: TECHNOPOLYMER
- SHAFT: STEEL