



FUEL MANAGEMENT SYSTEMS



DISPENSERS



KITS



PUMPS



METERS



NOZZLES

K33 ATEX



FEATURES

- BURSTING PRESSURE 28 BAR
- 3 DIGIT DISPLAY
- EASY TO CALIBRATE
- 4 FLOW DIRECTIONS

The PIUSI K33 ATEX is an oval gear mechanical meter engineered for an accurate measuring of the quantity of fluid dispensed that meets the ATEX/IECEX requirements related to the use in potentially explosive atmospheres. Reliable and easy to install, it can be calibrated on site and simply fitted with both rigid or flexible pipes or can be put directly on pumps and tanks.

PERFORMANCE

20-120

L/MIN

FLOW RATE

3,5 BAR

MAX

OPERATING PRESSURE

± 1%

ACCURACY

0,3%

REPEATABILITY



K33 - ATEX



OUR PRODUCTS COMPLIES WITH THE FOLLOWING MARKING ATEX

II	2	G	c	IIB	T6
GROUP	CATEGORY	TYPE OF EXPLOSIVE ATMOSPHERE	PROTECTION METHOD	GAS GLASS	TEMPERATURE CLASS

PACKAGING

CODE	WEIGHT		PACKAGING			N. BOXES / EUROPALLET	
	KG	LBS	MM	INCH	PCS/BOX	✈	🚚
FO057000A	2,02	4,44	180X180X170	-	1	192	240
FO057001A	2,02	4,44	180X180X170	-	1	192	240
FO057002A	2,02	4,44	180X180X170	-	1	192	240
FO057003A	2,02	4,44	180X180X170	-	1	192	240



FILTRATION



TANK MONITORING



HOSE REEL



ACCESSORIES



MERCHANDISE

PIUSI



ANY BIODIESEL



AIR



ANTIFREEZE



AdBlue®



BIODIESEL



DIESEL



FOOD



GASOLINE



GREASE



KEROSENE



OIL

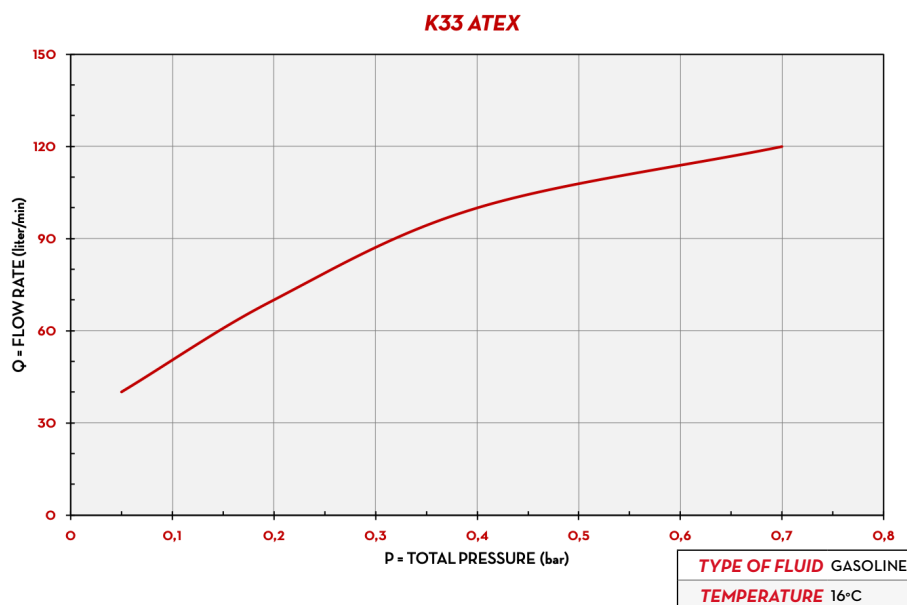


WATER

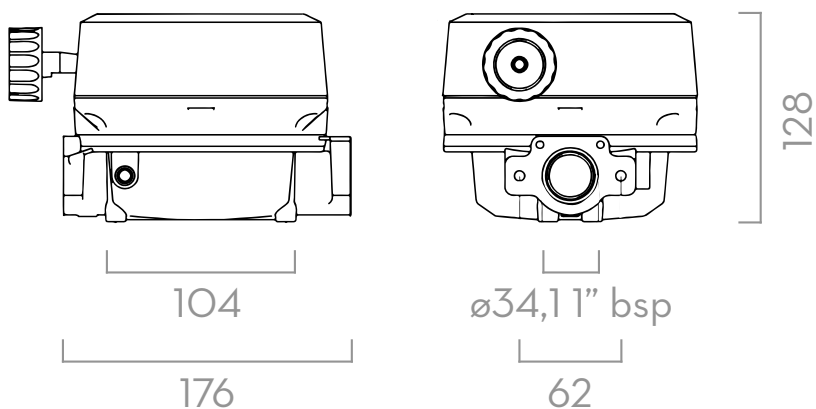


WINDSCREEN

CHART



DIMENSIONS

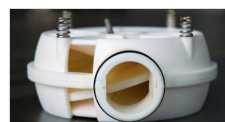


Dimensions expressed in millimeters

IN THE BOX

- K33 ATEX METER
- INSTRUCTION MANUAL

DETAILS



NUTATING DISK SYSTEM



4 FLOW DIRECTIONS



ATEX APPROVED



SAFETY BONDING

MATERIALS

- BODY: ALUMINIUM
- NUTATING DISK CHAMBER: TECHNOPYLIMER

TECHNICAL DATA

CODE	DESCRIPTION	FLUIDS TYPE	FLOW DIRECTION	FLOW RATE		PRESSURE		INLET / OUTLET
				L/MIN	GPM	BAR	PSI	
FO057000A	K33 - ATEX VER. A	D G K	←	20 - 120	5 - 32	3,5	50	1" BSP
FO057001A	K33 - ATEX VER. B	D G K	↑	20 - 120	5 - 32	3,5	50	1" BSP
FO057002A	K33 - ATEX VER. C	D G K	↓	20 - 120	5 - 32	3,5	50	1" BSP
FO057003A	K33 - ATEX VER. D	D G K	→	20 - 120	5 - 32	3,5	50	1" BSP

COMPATIBLE FLUIDS: DIESEL, KEROSENE, PETROL, PETROL/ALCOHOL MIXTURE (MAX 20%), AVGAS 100/100LL (PUMP AND FLOW METER ONLY), JET A/A1 (PUMP AND FLOW METER ONLY), ASPEN 2/4. VERSION WITH UL APPROVAL FOR ASPEN 2/4 AVAILABLE.