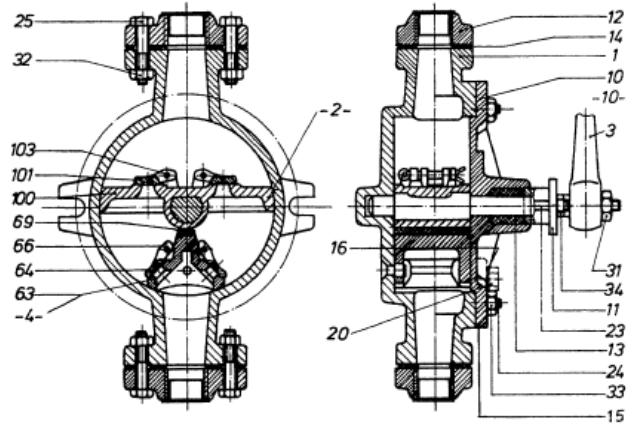


**Flügelpumpen A0
und als Faßpumpen
Ausführung 12 und 13**



Pumpe	Flügelpumpe												Faßpumpe		Pos.	Stück	Ident-Nr.	Benennung	Werkstoff
	12952	12953	2	23184	345	360	369	50	12981	23	43554	60	67						
●	●	●	●	●	●	●	●	●	●	●	●	●	●	●	1	1	191	Pumpengehäuse BG A0-GG	EN-GJL-250
●	●	●	●	●	●	●	●	●	●	●	●	●	●	●	1	1	18089	Pumpengehäuse BG A0-GG	EN-GJL-250
○	○	○	○	○	○	○	○	○	○	○	○	○	○	○	1	1	18086	Pumpengehäuse BG A0-BZ	G-CuZn 16 Si 4
○	○	○	○	○	○	○	○	○	○	○	○	○	○	○	1	1	302	Hebel 01	GTW/Alz
○	○	○	○	○	○	○	○	○	○	○	○	○	○	○	1	1	300	Hebel 01	EN-GJL-250/Kst
○	○	○	○	○	○	○	○	○	○	○	○	○	○	○	1	1	034568	Hebel, gekröpft 01	EN-GJL-250
●	●	●	●	●	●	●	●	●	●	●	●	●	●	●	10	1	18119	Deckel 0	EN-GJL-250
●	●	●	●	●	●	●	●	●	●	●	●	●	●	●	1	1	18125	Deckel 0	EN-GJL-250
●	●	●	●	●	●	●	●	●	●	●	●	●	●	●	1	1	18123	Deckel 0	G-CuZn 16 Si 4
●	●	●	●	●	●	●	●	●	●	●	●	●	●	●	11	1	211	Stopfbuchsbrille 1	EN-GJL-250
●	●	●	●	●	●	●	●	●	●	●	●	●	●	●	1	1	18131	Stopfbuchsbrille 0	G-CuZn 16 Si 4
●	●	●	●	●	●	●	●	●	●	●	●	●	●	●	12	2	278	Zweischr. Flansch DN 15 e 53	EN-GJL-250
●	●	●	●	●	●	●	●	●	●	●	●	●	●	●	2	2	18135	Zweischr. Flansch DN 15 e 53	EN-GJL-250
●	●	●	●	●	●	●	●	●	●	●	●	●	●	●	2	2	284	Zweischr. Flansch DN 15 e 53	GK-CuZn 37 Pb
E	E	E	E	E	E	E	E	E	E	E	E	E	E	E	13	1	217	Stopfbuchspackung 7-teilig, 4 x 4 x 60	Merkel 4386
●	●	●	●	●	●	●	●	●	●	●	●	●	●	●	1	1	47797	Stopfbuchspackung 5-teilig, 4 x 4 x 60	Merkel 4386
●	●	●	●	●	●	●	●	●	●	●	●	●	●	●	14	2	500530	Dichtung 30 x 53 x 2	EVIP 210, asbestfrei
●	●	●	●	●	●	●	●	●	●	●	●	●	●	●	15	1	16270	Dichtung 0	VF 3110
●	●	●	●	●	●	●	●	●	●	●	●	●	●	●	16	1	16263	Dichtung 13,3 x 22 x 2	VF 3110
●	●	●	●	●	●	●	●	●	●	●	●	●	●	●	20	1	45822	Verschlußschraube G1/4"	A4
E	E	E	E	E	E	E	E	E	E	E	E	E	E	E	23	2	207	Stiftschraube M8 x 45, DIN 939	5.8
E	E	E	E	E	E	E	E	E	E	E	E	E	E	E	2	2	9079	Stiftschraube M8 x 40, DIN 939	5.8
E	E	E	E	E	E	E	E	E	E	E	E	E	E	E	24	4	13794	Sechskantschraube M8 x 25	4.6
●	●	●	●	●	●	●	●	●	●	●	●	●	●	●	6	6	41904	Sechskantschraube M8 x 16	8.8
●	●	●	●	●	●	●	●	●	●	●	●	●	●	●	25	4	13795	Sechskantschraube M8 x 30	4.6
●	●	●	●	●	●	●	●	●	●	●	●	●	●	●	31	1	12274	Sechskantmutter M10	5
●	●	●	●	●	●	●	●	●	●	●	●	●	●	●	32	4	12272	Sechskantmutter M8	5
●	●	●	●	●	●	●	●	●	●	●	●	●	●	●	33	4	12272	Sechskantmutter M8	5
●	●	●	●	●	●	●	●	●	●	●	●	●	●	●	34	2	12272	Sechskantmutter M8	5
●	●	●	●	●	●	●	●	●	●	●	●	●	●	●	63	1	18092	Ventilsitz S 0	GK-CuZn 37 Pb
●	●	●	●	●	●	●	●	●	●	●	●	●	●	●	64	2	245	Ventilklappe 0	CuZn 39 Pb 3
●	●	●	●	●	●	●	●	●	●	●	●	●	●	●	66	2	43930	Splint 3,2 x 36 DIN 94	MS
●	●	●	●	●	●	●	●	●	●	●	●	●	●	●	69	1	269	Dichtleiste 01	Wolffiz
●	●	●	●	●	●	●	●	●	●	●	●	●	●	●	100	1	21790	Antriebswelle mit Flügel 0	GK-CuZn 37 Pb/St
●	●	●	●	●	●	●	●	●	●	●	●	●	●	●	101	2	245	Ventilklappe 0	CuZn 39 Pb 3
●	●	●	●	●	●	●	●	●	●	●	●	●	●	●	103	2	43930	Splint 3,2 x 36 DIN 94	MS
●	●	●	●	●	●	●	●	●	●	●	●	●	●	●	140*	1	112	Saugrohr 1/2" 800 lg	St 33
●	●	●	●	●	●	●	●	●	●	●	●	●	●	●	1	1	108	Saugrohr 1/2" 600 lg	St 33
●	●	●	●	●	●	●	●	●	●	●	●	●	●	●	141*	1	134	Auslaufrohr 1/2" 300 lg	St 33
●	●	●	●	●	●	●	●	●	●	●	●	●	●	●	142*	1	138	Standrohrverschraubung 3/3 1/2"	MS
●	●	●	●	●	●	●	●	●	●	●	●	●	●	●	148*	1	166	Haken	GK-CuZn 37 Pb/St
●	●	●	●	●	●	●	●	●	●	●	●	●	●	●	149*	1	117	Faßspund B1/2"	EN-GJL-250
●	●	●	●	●	●	●	●	●	●	●	●	●	●	●	150*	1	142	Langer Bogen 1/2"	G4
Montierte Baugruppen																			
●	●	●	●	●	●	●	●	●	●	●	●	●	●	●	-2-	1	221	Flügel BG A0-MS St (Teile 100, 101, 103)	
●	●	●	●	●	●	●	●	●	●	●	●	●	●	●	1	1	18099	Flügel BG A0-MS (Teile 100, 101, 103)	
●	●	●	●	●	●	●	●	●	●	●	●	●	●	●	-4-	1	231	Ventilsitz S BG 0-MS (Teile 63, 64, 66, 69)	
●	●	●	●	●	●	●	●	●	●	●	●	●	●	●	-10-	1	200	Deckel VGR A0-GGMS (Teile 10, 23, 34)	
●	●	●	●	●	●	●	●	●	●	●	●	●	●	●	1	1	18109	Deckel A0-MS (Teile 10, 16, 20, 23, 34)	

- = Standard
- = Verwendung möglich
- E = nur als Ersatzteil für Pumpen vor 1986
- * = bildlich nicht dargestellt